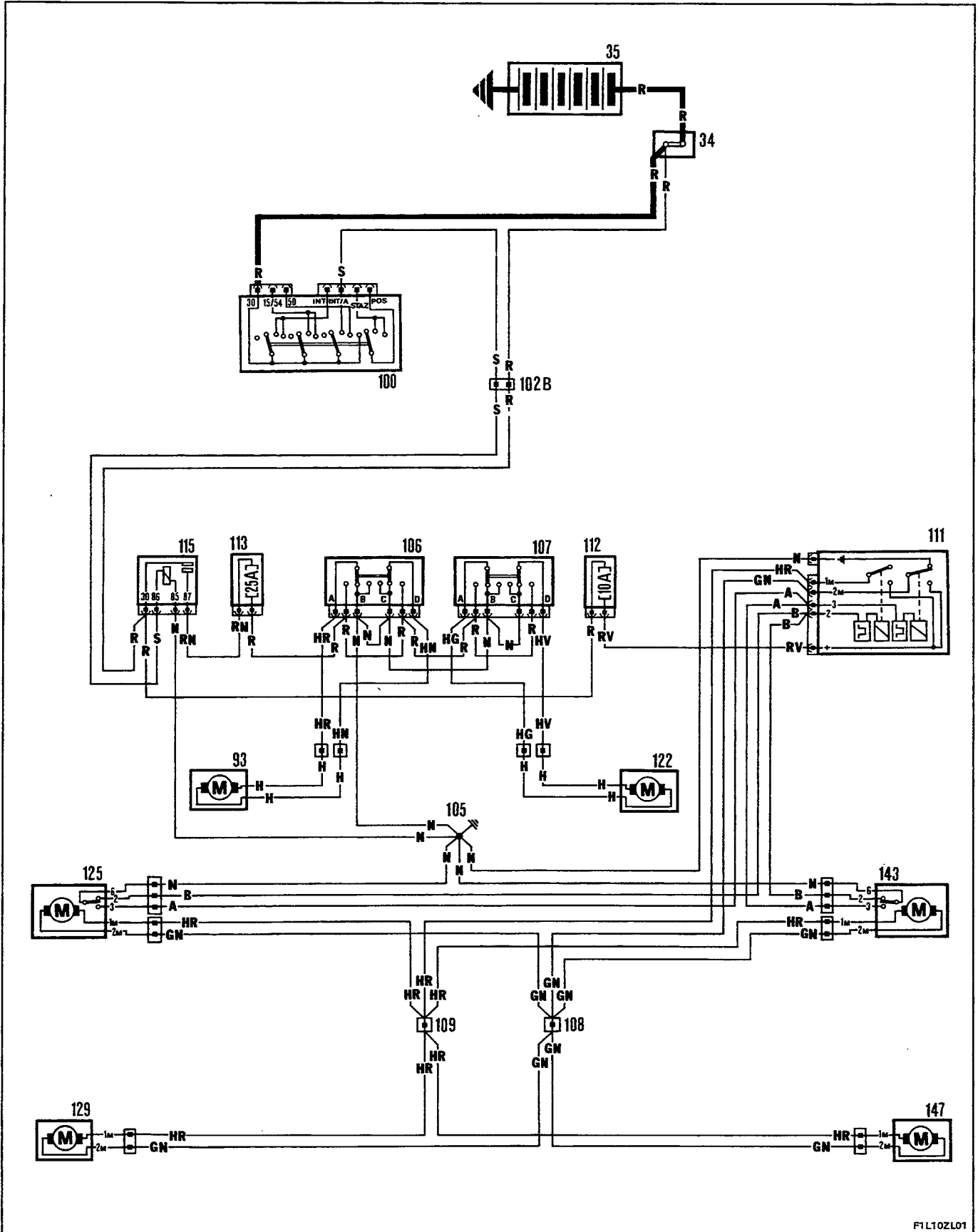


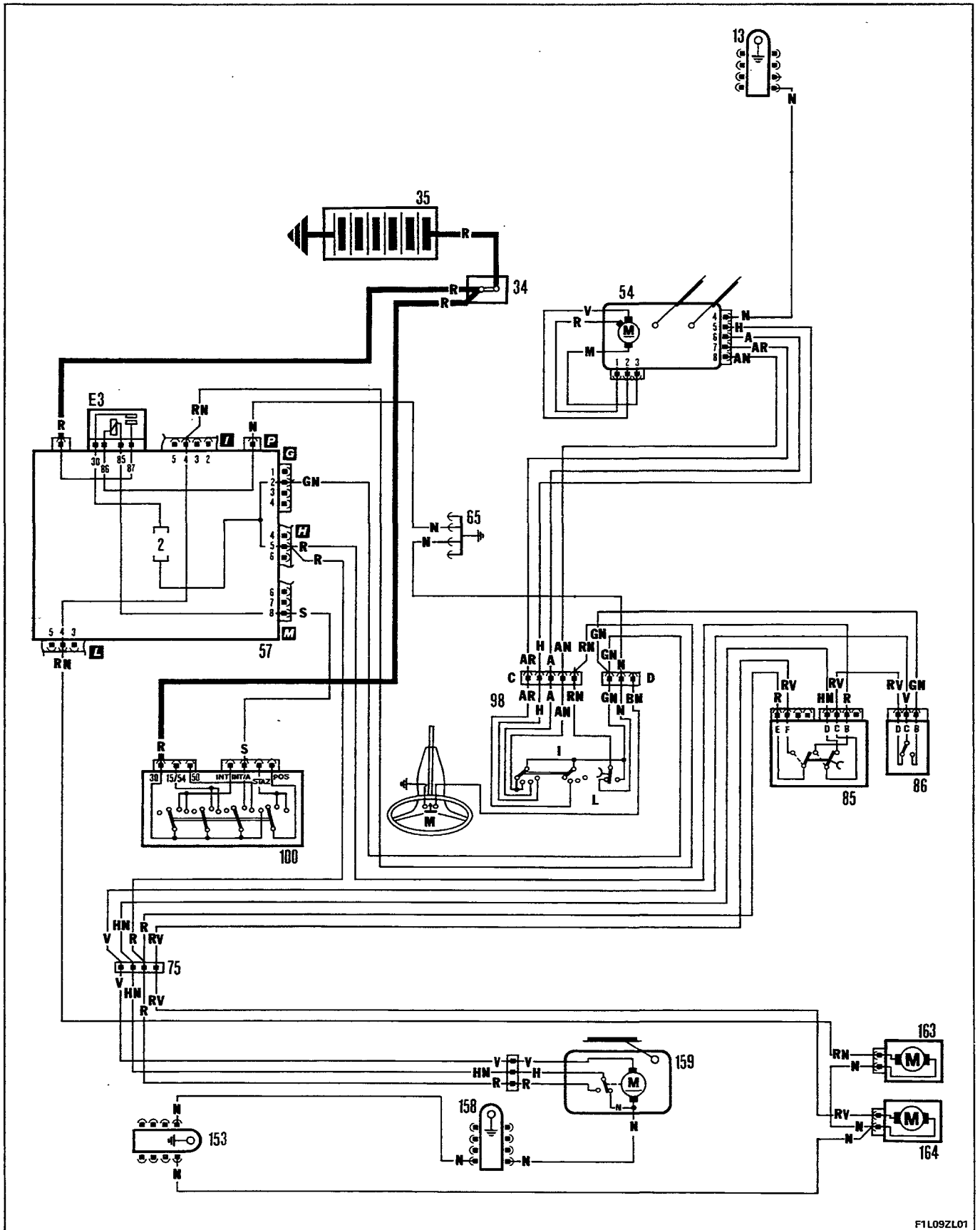
55.

Electric front windows - Central door locking (see page 13 for key).



FI110ZL01

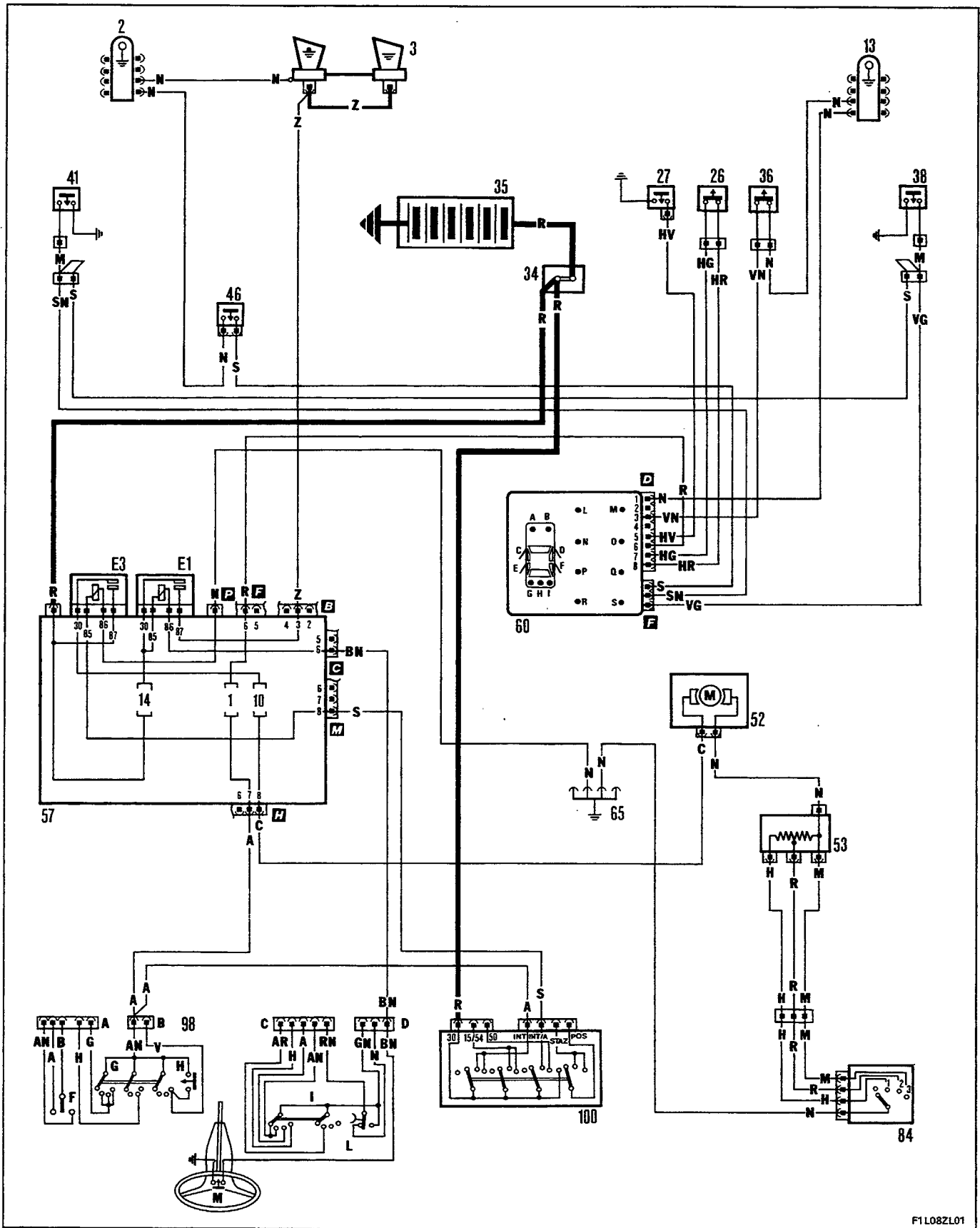
Windscreen wiper - Electric windscreen washer pump - Rearscreen wiper - Electric rearscreen washer pump (see page 13 for key).



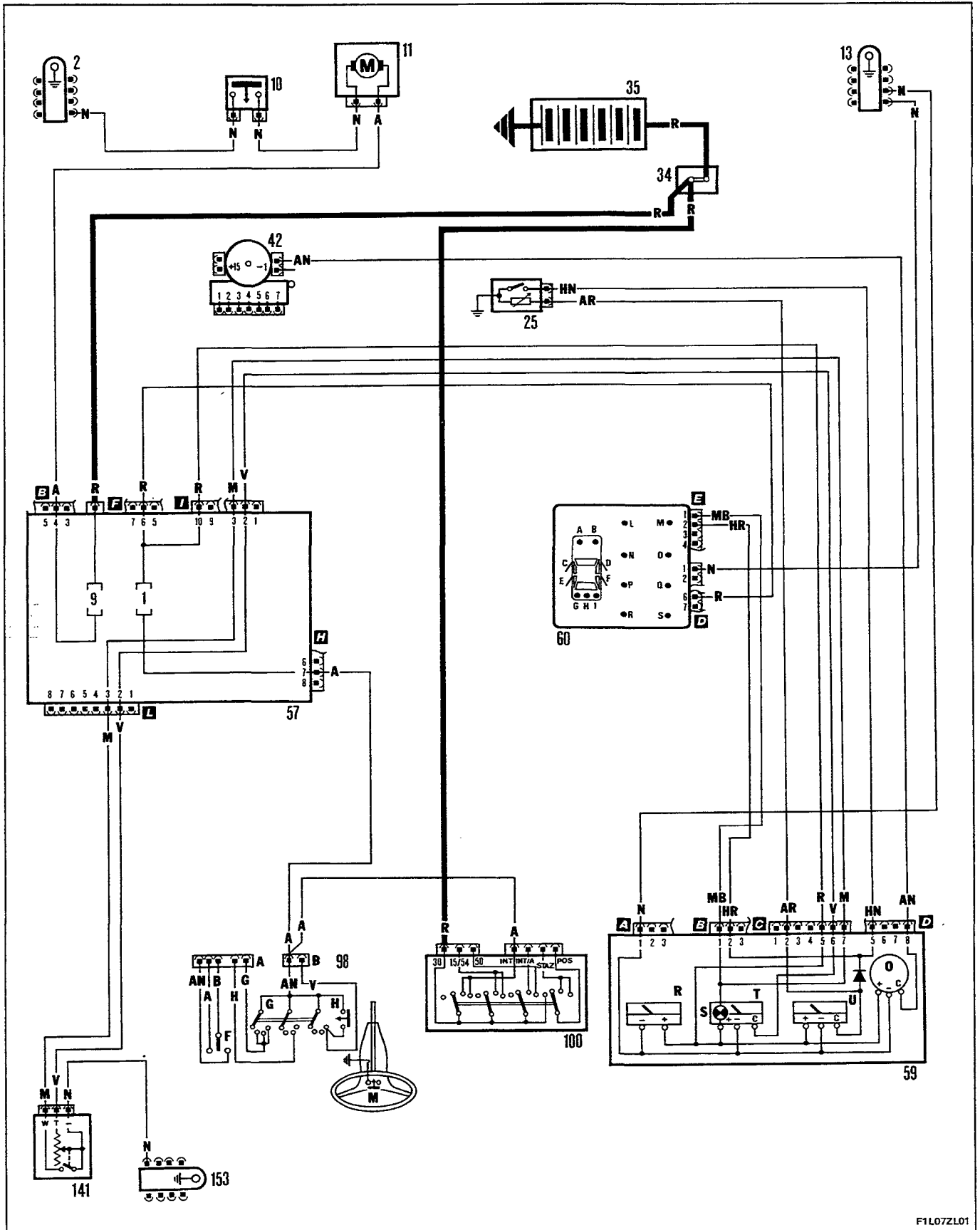
F1L09ZL01

55.

Electric horns - Car interior ventilation - Front brake pad wear - Insufficient brake fluid level - Insufficient engine oil pressure - Insufficient engine oil level - Insufficient coolant level (see page 13 for key).

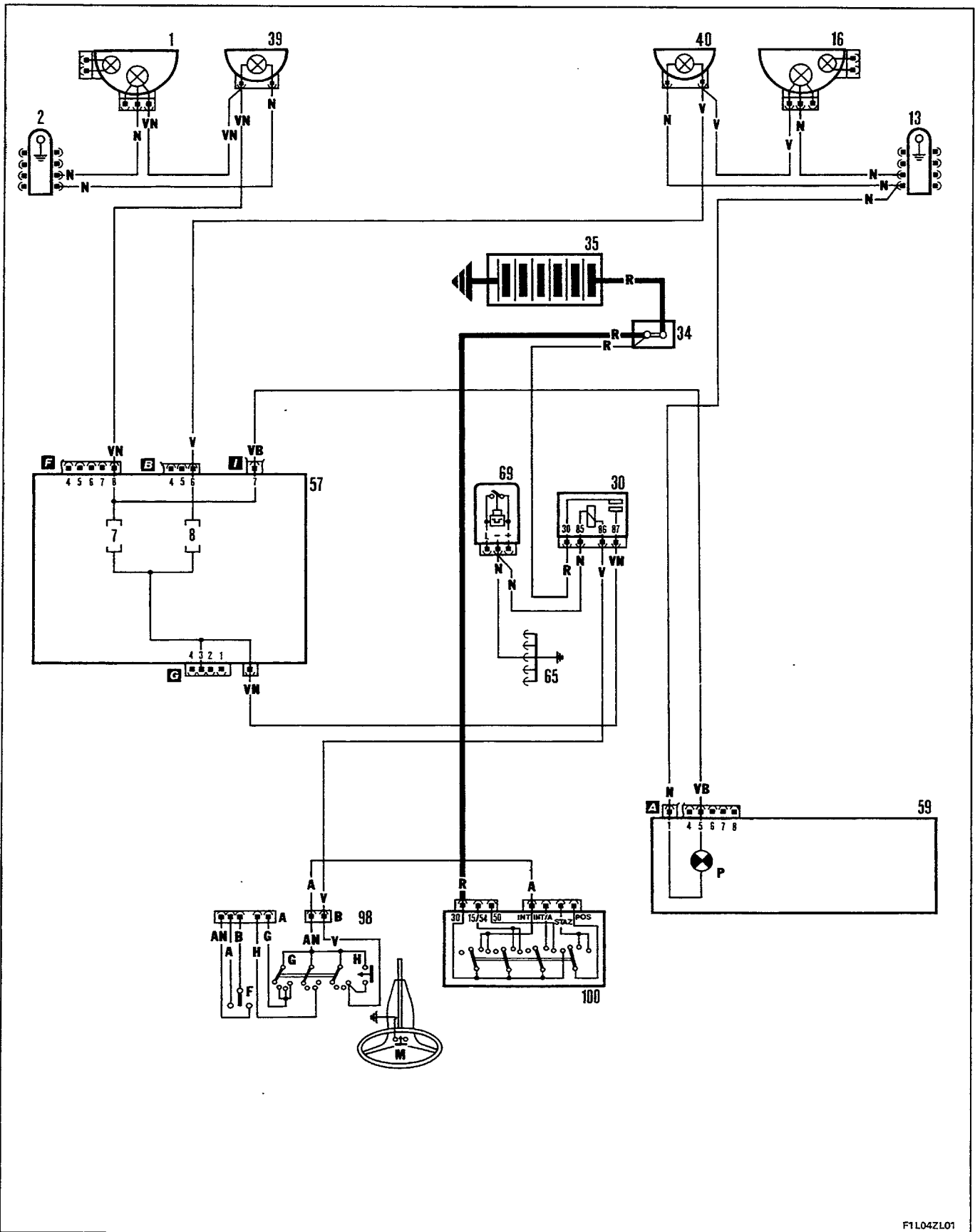


Engine radiator - Fuel gauge and reserve warning light - Rev counter - Voltmeter - Coolant temperature gauge and overheating warning light (see page 13 for key).

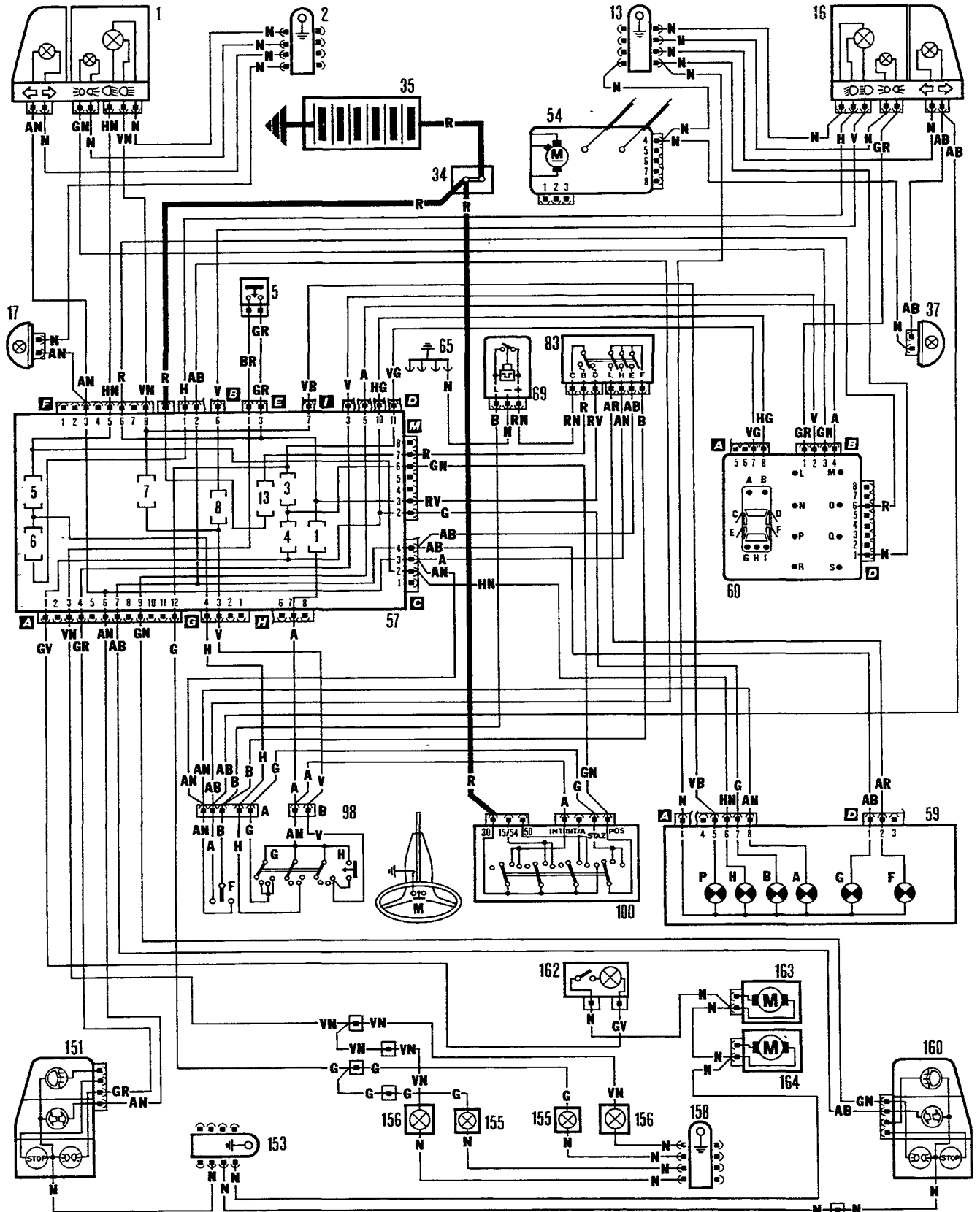


55.

Additional driving lights (see page 13 for key).

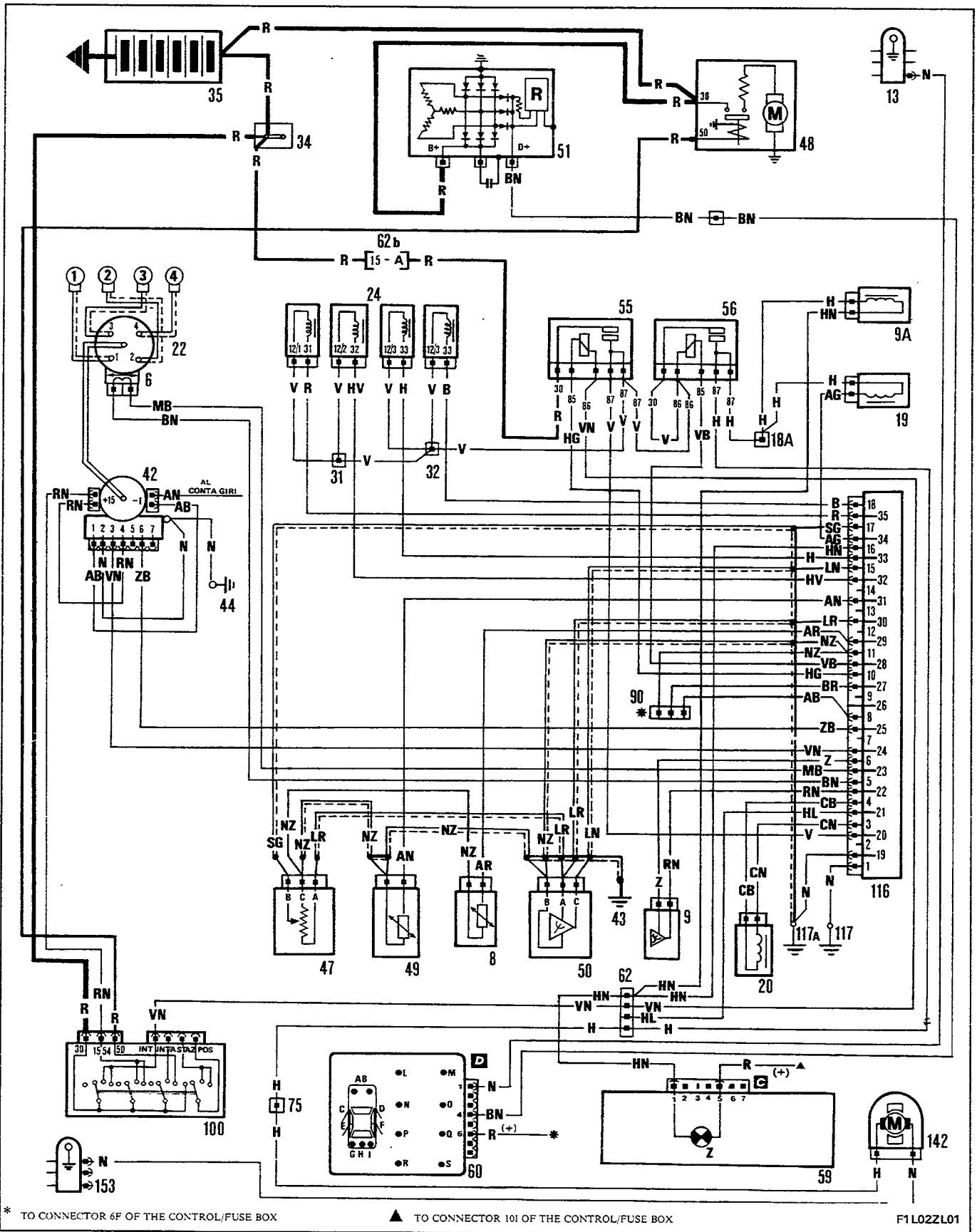


Side lights and warning light - Dipped headlamps - Main beam headlamps and warning light (additional driving lights - see wiring diagram on page 4) - Flashers - Direction indicators and warning light - Hazard warning lights and warning lights - Reversing lights - No. plate lights - Luggage compartment light (see page 13 for key).

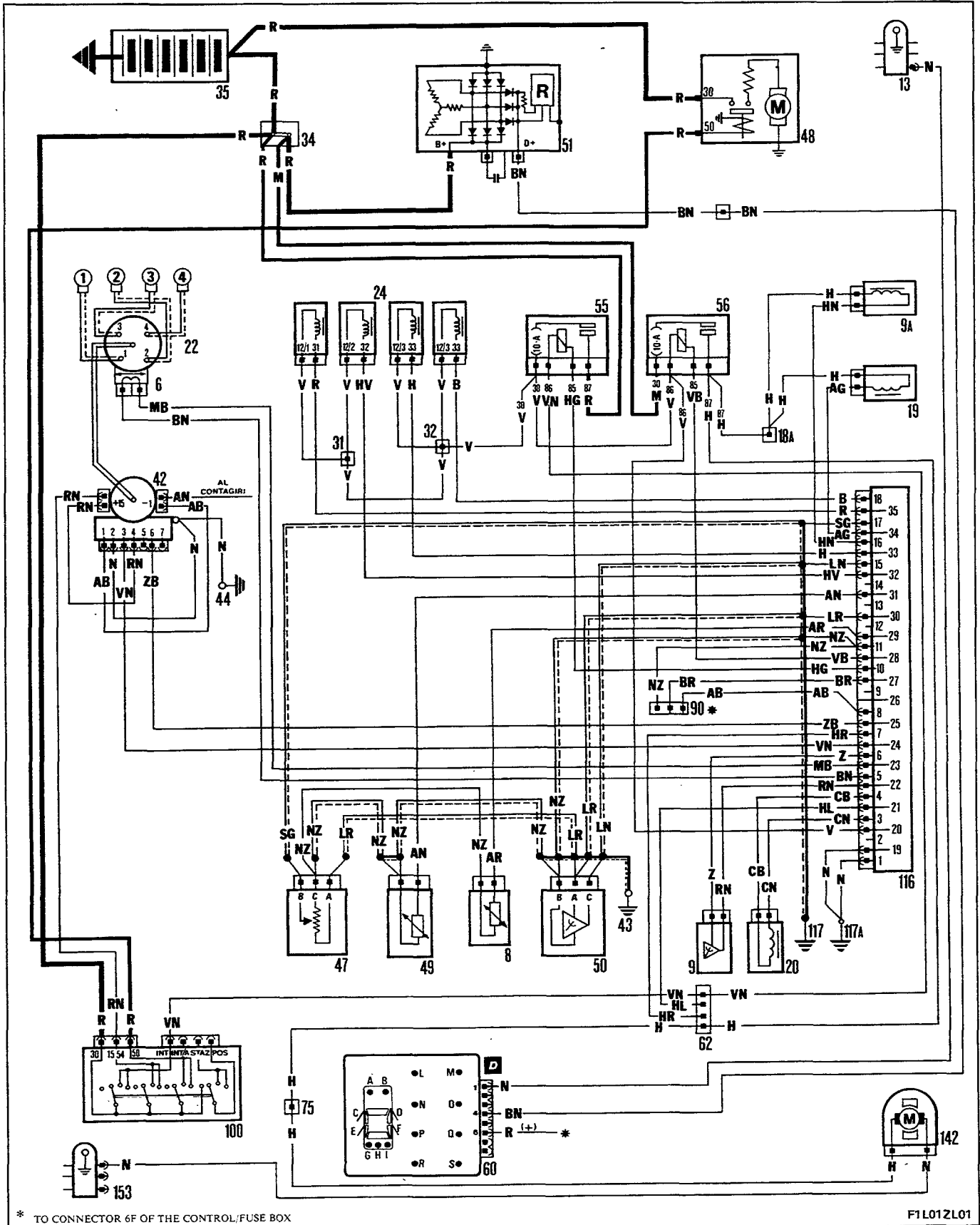


55.

Starting - Recharging - WEBER Ignition/Injection (post-modification I.A.W.) - Electric fuel pump (see page 13 for key).



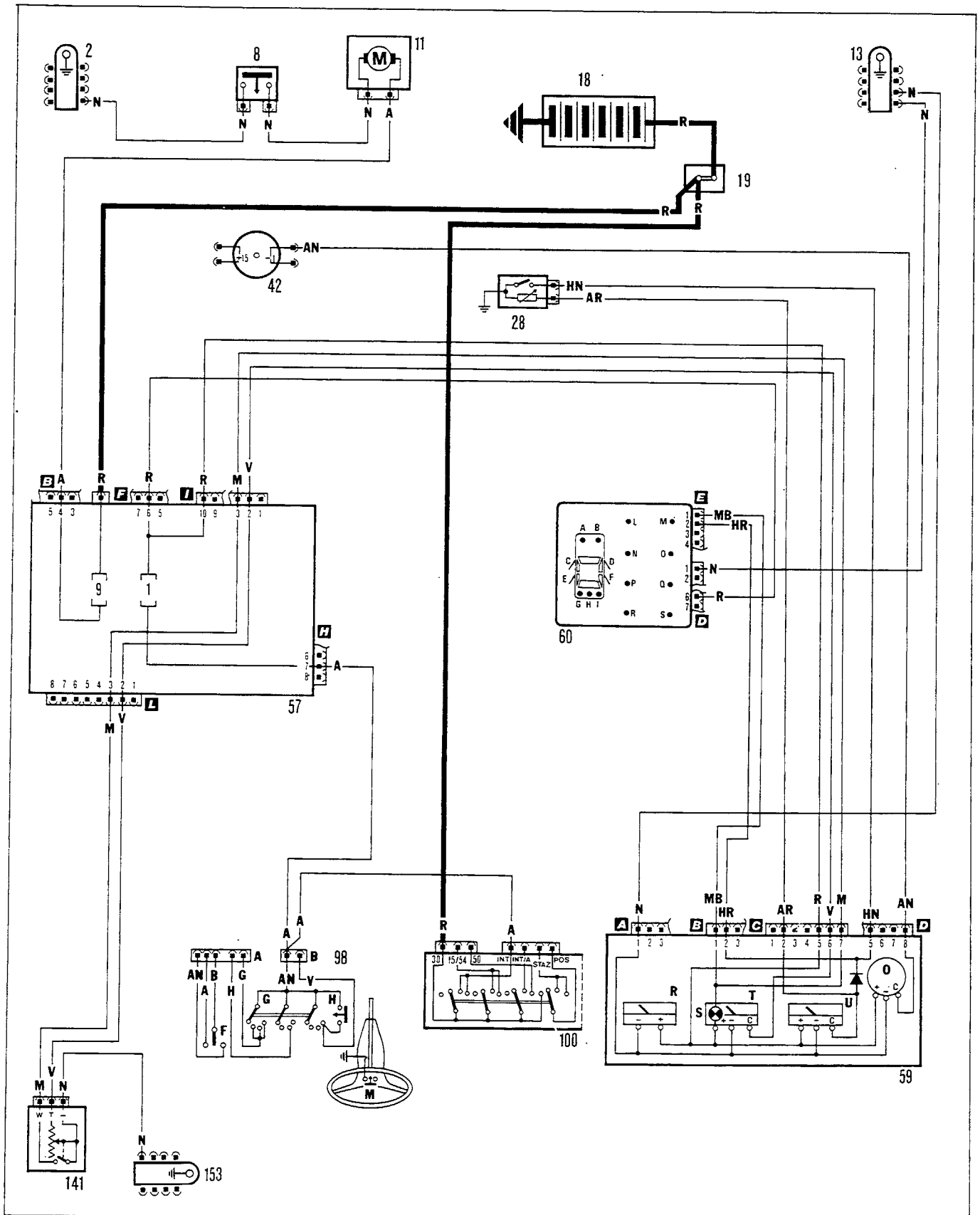
Starting - Recharging - WEBER Ignition/Injection (ante-modification I.A.W.) - Electric fuel pump (see page 13 for key).



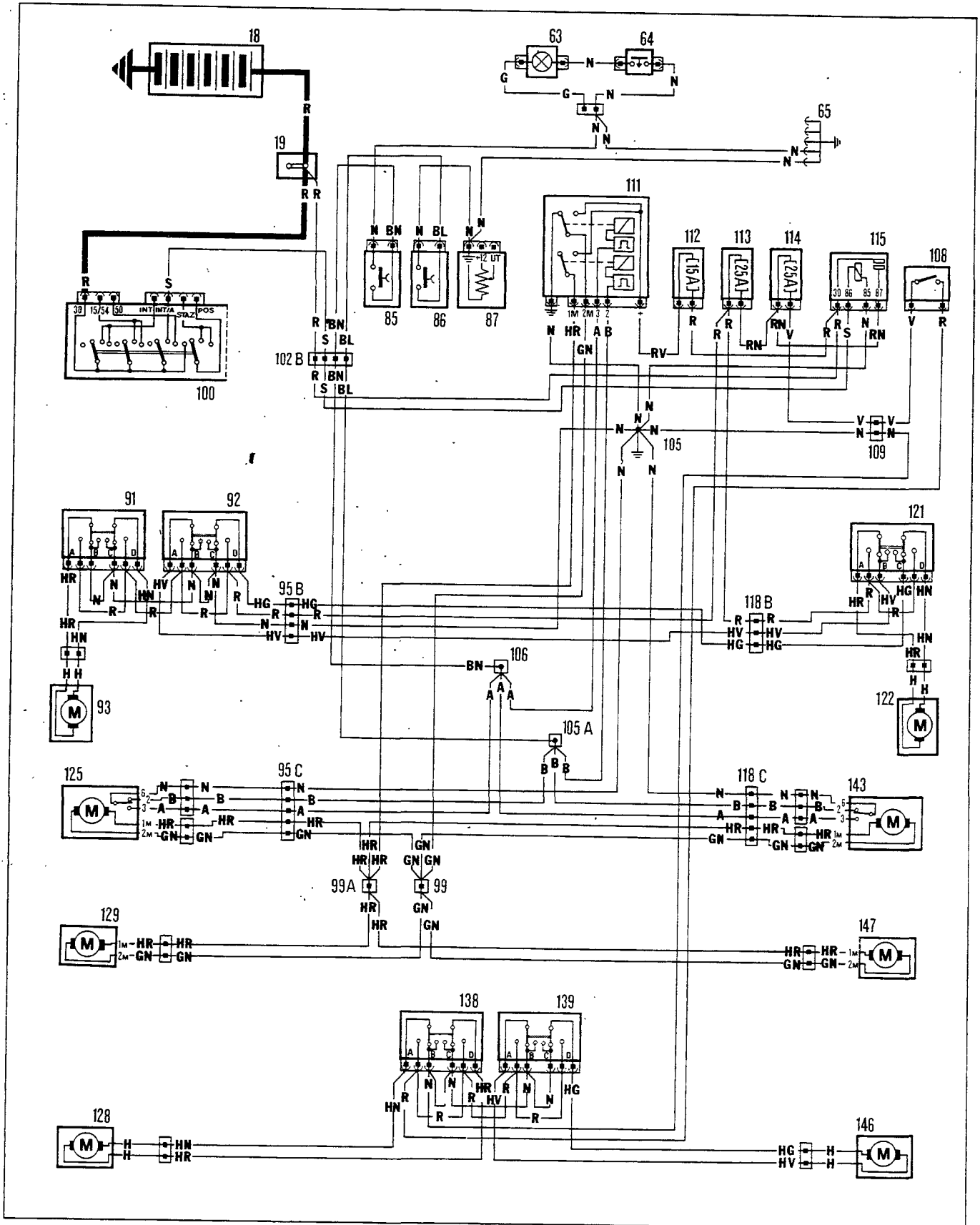
* TO CONNECTOR 6F OF THE CONTROL/FUSE BOX

55.

Fuel gauge and reserve warning light - Engine coolant temperature and overheating warning light - Voltmeter - Radiator cooling fan - Rev counter (see page 13 for key)



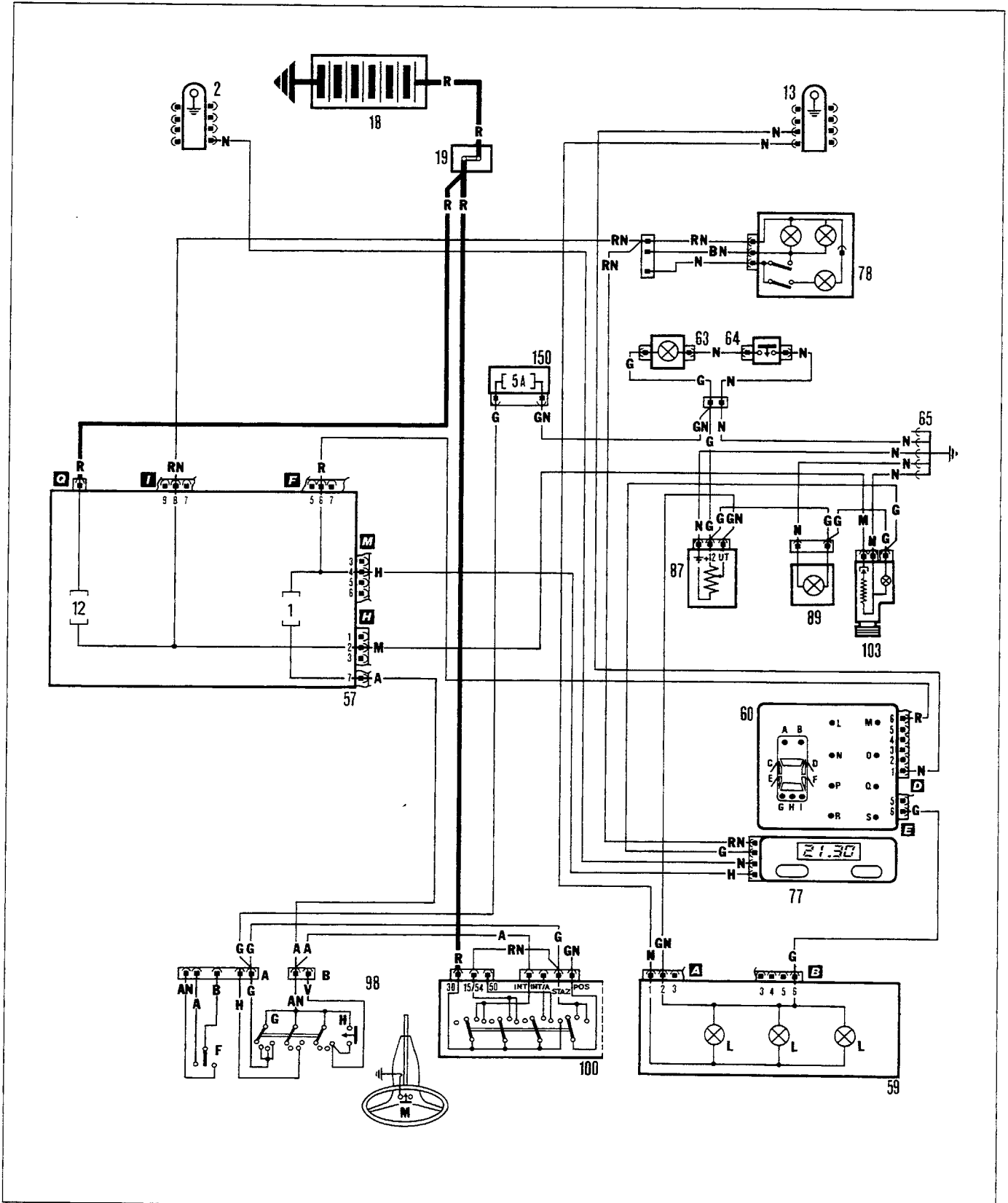
Electric front windows - Electric rear windows - Central locking system (see page 13 for key)



55.

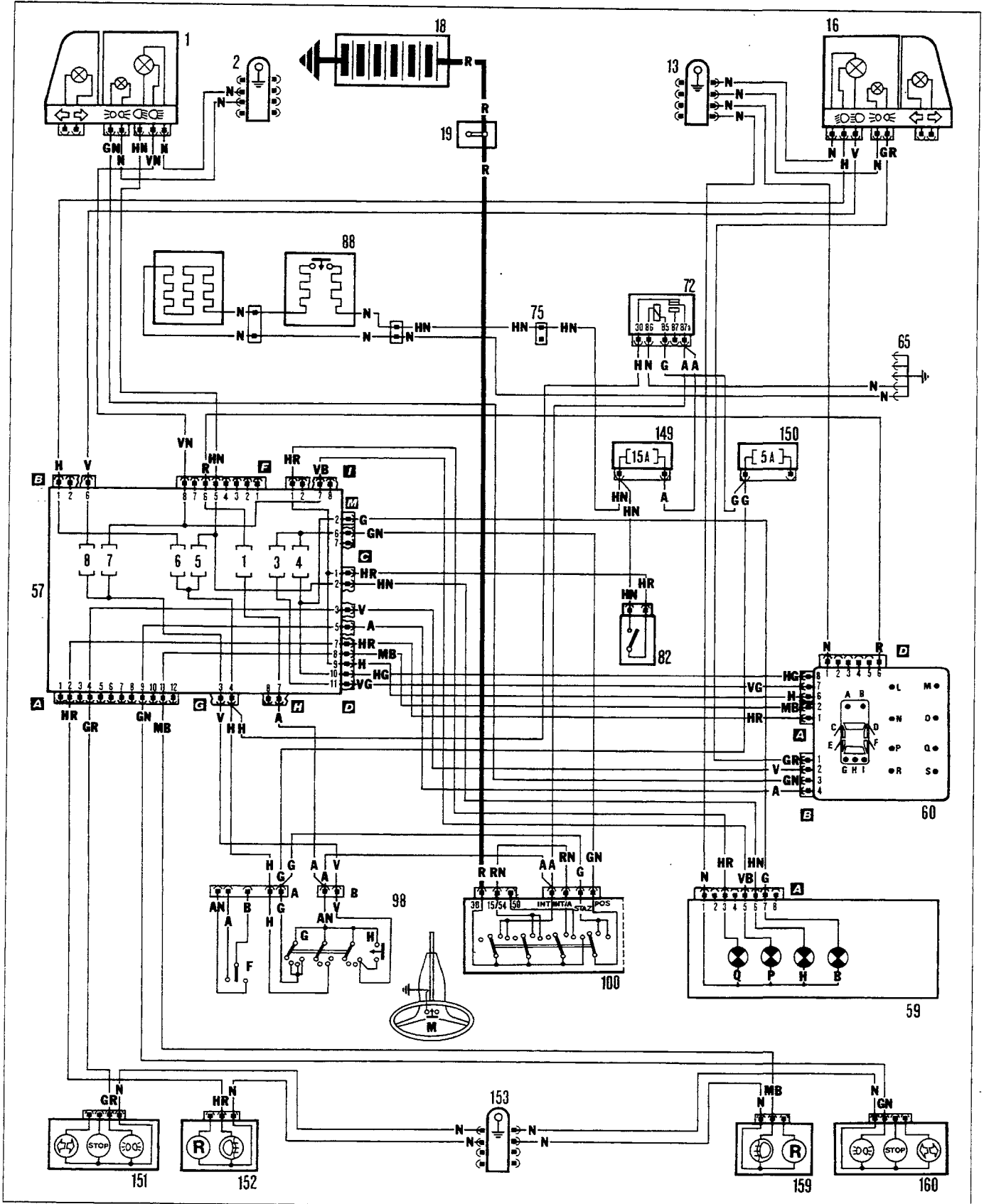
Version: SCANDINAVIA

Digital clock - Control panel and Check Panel lighting - Glove compartment lighting - Switch symbol lighting fibre-optic bulb - Cigarette lighter (see key on page 19)



Version: RIGHT HAND DRIVE

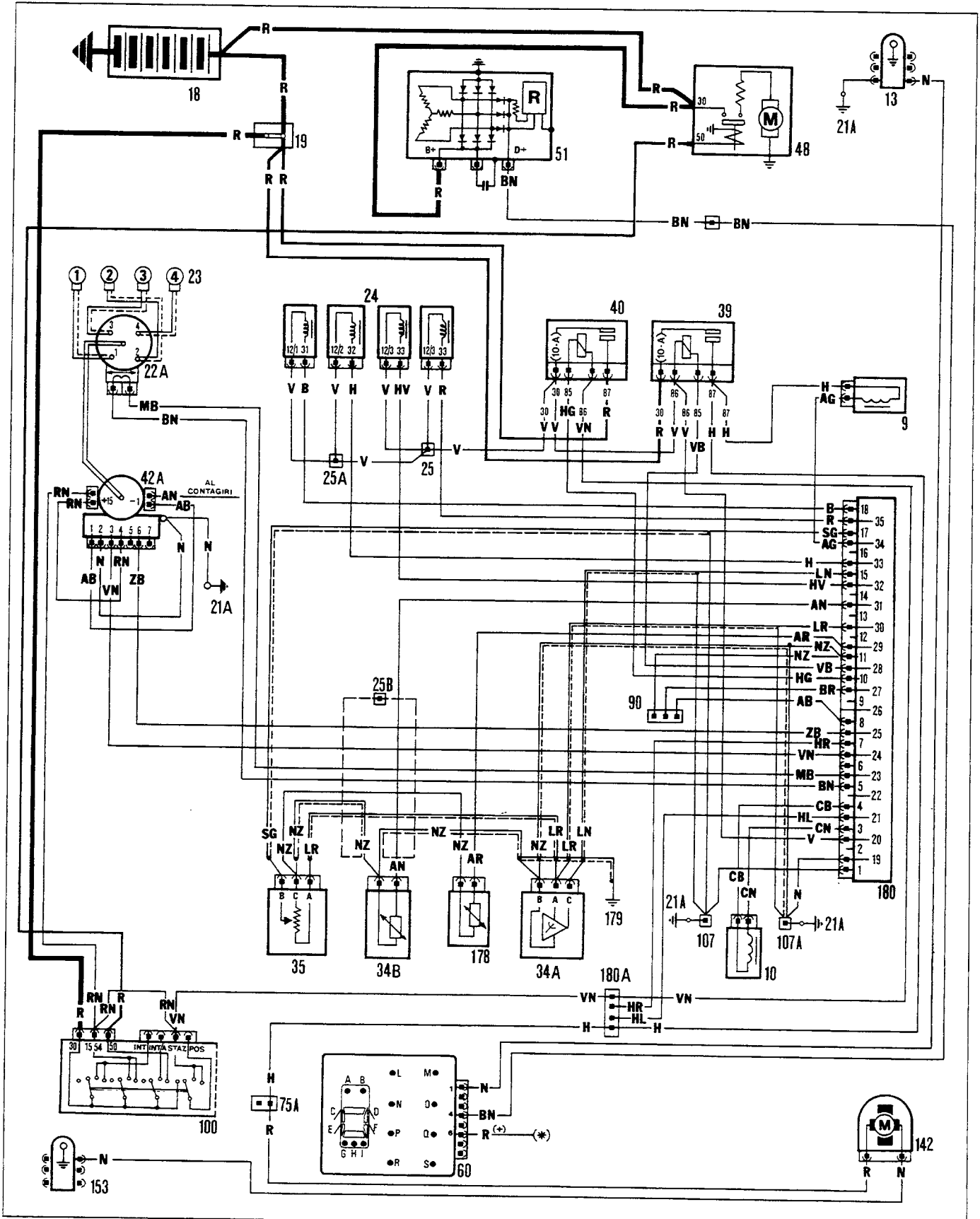
Side lights and warning light - Dipped beam and warning light - Main beam and warning light - Flasher - Rear fog lamp and warning light - Heated seats (see key on page 19)



55.

Version: SCANDINAVIA

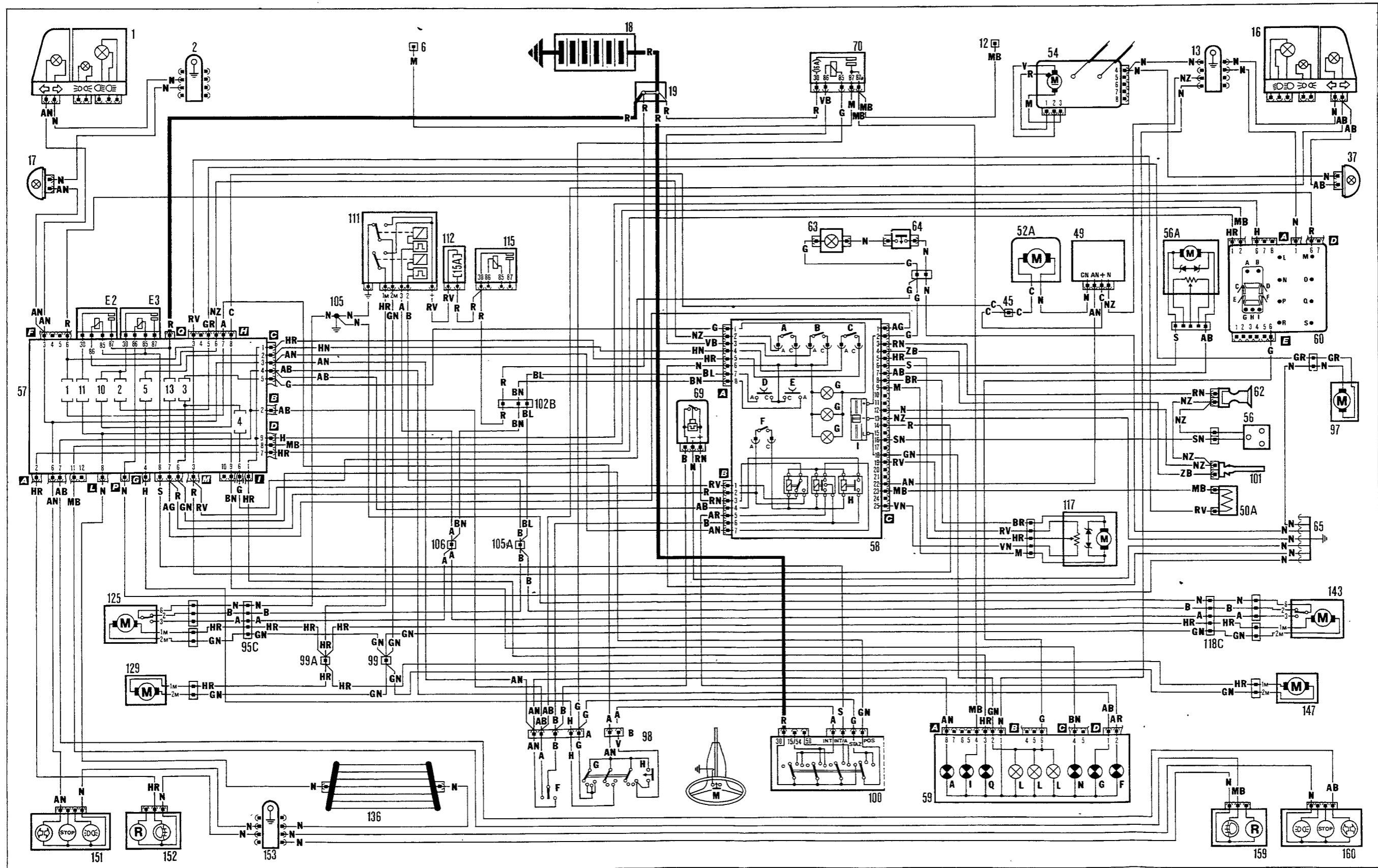
Starting- Recharging-Weber ignition injection (I.A.W.) - Fuel feed pump (see key on page 19)



55.

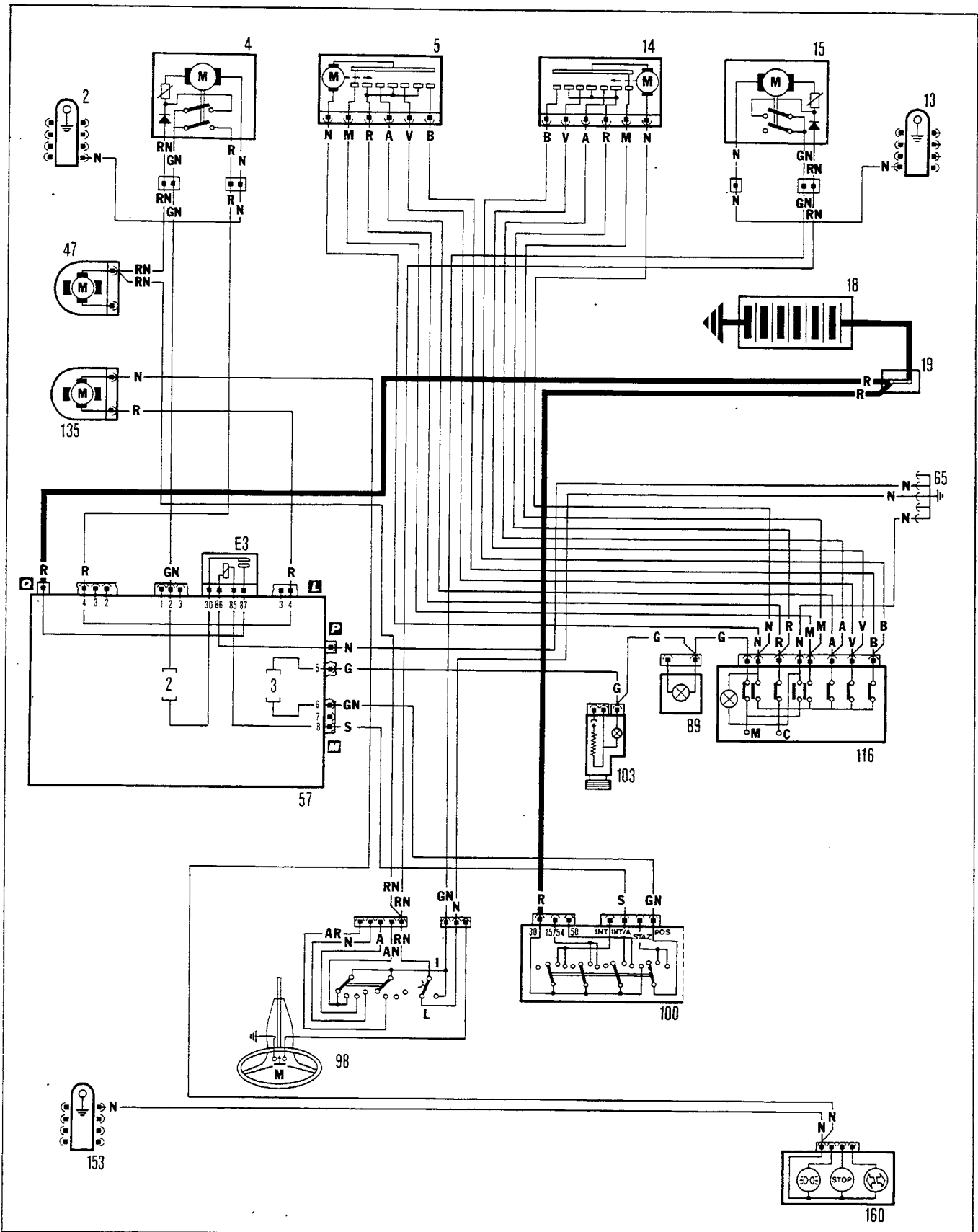
1. Left front light cluster
2. Left front earth cable loom
3. Electric horns
4. Left headlamp wiper motor
5. Left headlamp alignment correcter
6. Left fog lamp wiring
- 6A. Left front additional driving light
7. Reversing lights switch
- 7A. Starter inhibitor switch on automatic transmission
- 7B. Automatic gearbox oil maximum temperature thermostatic switch
8. Radiator fan thermostatic switch
9. Automatic idle adjustment solenoid valve (IAW)
- 9A. Fuel flow meter
10. Rpm and TDC sensor (IAW)
11. Radiator cooling fan
- 11A. Additional radiator cooling fan
12. Right fog lamp wiring
- 12A. Right front additional driving light
13. Right front earth cable loom
14. Right headlamp alignment corrector
15. Right headlamp wiper
16. Right front light cluster
17. Left side direction indicator
- 17A. External temperature sensor
18. Battery
19. Connector
20. Diagnostic socket
21. Digiplex electronic ignition control unit
- 21A. Earths on engine
22. Ignition distributor
- 22A. Ignition distributor
23. Spark plugs
24. Fuel injectors
- 24A. Cut-off device electronic control unit
25. Connector
- 25A. Connector
- 25B. Connection
26. Engine oil level sensor
27. Insufficient engine oil pressure sensor
28. Coolant temperature sender unit and overheating warning light
29. Engine oil pressure sender unit
30. Butterfly valve position switch on carburettor
- 30A. Thermal switch for P.T.C. on automatic choke
31. Dipped headlamp resistor
32. Diode carrier plate
33. Sensor on TDC pulley (rpm and TDC sensor for 2nd generation Digiplex)
34. Idle cut out device
- 34A. Absolute pressure sensor (IAW)
- 34B. Air temperature sensor (IAW)
35. Butterfly valve position sensor (IAW)
- 35A. Rpm sensor on flywheel
36. Coolant level sensor
37. Right side direction indicator
38. Right front brake pad wear sensor
39. Electric fuel pump relay
40. Injector supply relay
- 40A. Injector and electric fuel pump supply fuse
41. Left front brake pad wear sensor
42. Ignition coil
- 42A. Ignition coil with power module
43. Heated seat protective fuse
44. Heated seat supply relay
45. Connection
46. Brake fluid level sensor
47. Electric windscreen washer pump
- 47A. Thermal switch for P.T.C. on automatic choke
- 47B. Thermal switch for P.T.C. on idle manifold
- 47C. Thermal switch for accelerator pump outlet opening idle cut out solenoid valve
- 47D. Plate
48. Starter motor
49. Electronic speed regulator for heater fan
- 49A. P.T.C. on idle manifold
- 49B. P.T.C. on automatic choke
50. Accelerator pump outlet opening idle cut out solenoid valve
- 50A. Outside air intake flap control valve
51. Alternator
52. Heater fan
- 52A. Ventilation fan
53. Resistor for adjusting heater fan speed
54. Windscreen wiper with built in intermittent device
55. P.T.C. supply fuse
56. Outside air temperature sensor
- 56A. Air mixture motor
57. Fuse and relay control box
 - E1. Electric horn relay
 - E2. Heated rear windscreen relay
 - E3. Heater fan - windscreen wiper - headlamp wiper relay
58. Automatic heater and dashboard controls control unit
 - A. Heated rear windscreen switch
 - B. Fog lamps switch (additional headlamps for 4WD)
 - C. Rear fog lamps switch
 - D. Central locking switch
 - E. Central unlocking switch
 - F. Hazard warning lights switch
 - G. Control unit light bulbs
 - H. Relay for hazard warning lights
 - I. Instrument panel and Control System light dimmer
59. Instrument panel
 - A. Left direction indicators warning light
 - B. Side lights warning light
 - C. Control System (red) general warning light
 - E. (Green) go ahead signal

Version with automatic heater (see page 13 for key)



55.

Headlamp alignment - Headlamp wipers - Electric headlamp washer pump (see page 13 for key)



Key

- 1. L. front light cluster
- 2. L. front earth loom
- 7. Reversing light switch
- 9. Solenoid
- 10. Rpm and TDC sensor
- 13. R. front earth loom
- 16. R. front light cluster
- 18. Battery
- 19. Shunt node
- 21A. Engine earth
- 22A. Ignition distributor
- 24. Electric fuel injector
- 25. Shunt node
- 25A. Shunt node
- 25B. Connection
- 34A. Absolute pressure sensor
- 34B. Air temperature sensor
- 35. Throttle position sensor
- 39. Electric fuel pump relay
- 40. Electric injector supply relay
- 42A. Ignition coil with power module
- 48. Starter motor
- 48. Starter motor
- 51. Alternator
- 57. Fuse and relay control box
- 59. Control panel
- B. Side light warning light
- H. Dipped beam warning light
- L. Control panel lighting bulbs
- P. Main beam warning light
- Q. Rear fog lamp warning light
- W. Electronic speedometer
- 60. Check Panel
- 63. Glove compartment light bulb
- 64. Glove compartment light control button
- 65. Under facia earth loom
- 72. Daytime light relay
- 75. Connection
- 75A. Connection
- 77. Digital clock
- 78. Front courtesy light
- 82. Rear fog lamp switch
- 87. Check Panel and control panel light dimmer
- 88. Heated seat
- 89. Fibre-optic switch lighting bulb
- 90. Check socket
- 98. Steering column switch unit
- 100. Ignition switch
- 103. Cigarette lighter
- 107. Shunt node
- 107A. Shunt node
- 142. Electric fuel pump
- 149. Rear fog lamp and heated seat fuse
- 150. Instrument lights. Check Panel and clock fuse
- 151. L. rear light
- 152. L. rear light on tailgate
- 153. Rear earth loom
- 159. R. rear light on tailgate
- 160. R. rear light
- 172. DIM-DIP circuit resistance
- 173. DIM-DIP circuit relay
- 174. DIM-DIP circuit cut-out remote control switch
- 175. Rear fog lamp circuit fuse
- 176. DIM-DIP circuit fuse
- 177. Tachymetric generator
- 178. Coolant temperature sending unit
- 179. Body earth
- 180. Weber electronic injection control unit
- 180A. Connection